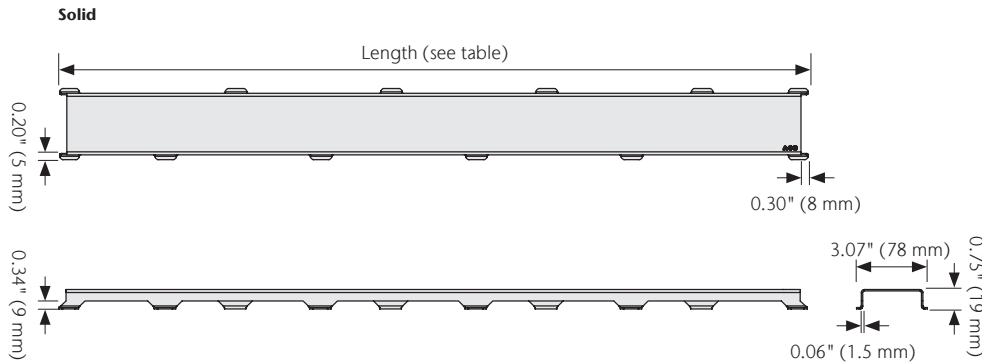


ShowerDrain Premium ShowerChannel Grate - Solid



Specification Clause

The ACO ShowerDrain Solid grate shall be 1.5 mm (16 gauge) stainless steel grade 304 manufactured by ACO, Inc. USA.

The surface finish shall be Polished Stainless.

Grates shall be 3.07" (78 mm) wide with length as specified on Architect's plans/specification.

Shower channel shall be Plain Edge OR Flange Edge. See separate Spec Info Sheet for details.

ACO recommends checking local plumbing codes prior to installation.

The system shall be installed in accordance with the manufacturer's instructions and recommendations.

Finish	Length in (mm)	Part No.	Intake in ² (cm ²)	Weight lbs
Polished Stainless	27.55 (700)	37476	15.39 (99.3)	1.7
	31.50 (800)	37477	17.71 (114.3)	1.9
	35.43 (900)	37478	20.03 (129.3)	2.1
	39.37 (1000)	37479	22.35 (144.2)	2.4
	47.25 (1200)	37480	26.68 (172.2)	2.9
	55.12 (1400)	37481	31.01 (200.1)	3.4

Grate Lifting Key (part no. 37339) included.

ACO, Inc.

West Sales Office
825 W. Beechcraft Street
Casa Grande, AZ 85122
Tel: (520) 421-9988
Toll-Free: (888) 490-9552
Fax: (520) 421-9899

Northeast Sales Office
9470 Pinecone Drive
Mentor, OH 44060
Tel: (440) 639-7230
Toll-Free: (800) 543-4764
Fax: (440) 639-7235

Southeast Sales Office
4211 Pleasant Road
Fort Mill, SC 29708
Toll-Free: (800) 543-4764
Fax: (803) 802-1063

info@acousa.com
www.acousa.com

© February 2021 ACO, Inc.

All reasonable care has been taken in compiling the information in this document. All recommendations and suggestions on the use of ACO products are made without guarantee since the conditions of use are beyond the control of the company. It is the customer's responsibility to ensure that each product is fit for its intended purpose and that the actual conditions of use are suitable. ACO, Inc. reserves the right to change products and specifications without notice.

ACO. creating
the future of drainage



ACO Specification Information