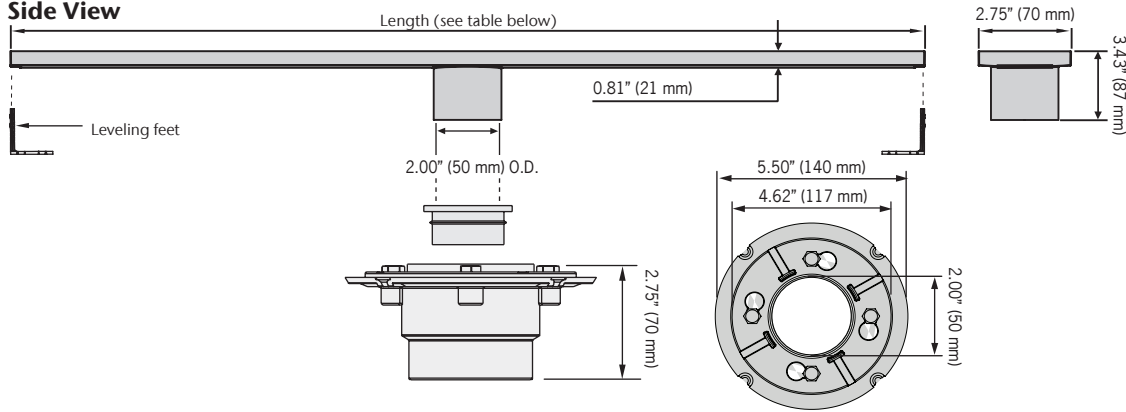


A Plus Tile insert design linear shower channel

Plan View



Side View



Product Table

Part No.	Length inches (mm)	Width inches (mm)	Weight lbs (kg)	Intake area sq. in (sq.cm)
296076	27.0 (686)	2.75 (70)	2.6 (1.2)	17.8 (114.8)
296077	36.0 (886)	2.75 (70)	3.2 (1.5)	22.7 (146.5)
296078	48.0 (1186)	2.75 (70)	4.1 (1.9)	30.0 (193.5)

Specification Clause

General

The ACO ShowerDrain Q Plus linear shower channel and grate system shall be stainless steel grade 304 manufactured and supplied by ACO, Inc. The surface treatment applied after the manufacturing process to prevent corrosion shall be pickle passivation. Grate shall be Tile design.

Shower channels shall be 2.75" (70 mm) wide and 27.0" (686 mm)/36.0" (886 mm)/48.0" (1186 mm)* in length. Outlet spigot (O.D.) diameter shall be 2.00" (50 mm).

Waterproofing and plumbing connection

The PVC membrane coupling (provides connection to S/S spigot of shower channel and plumbing pipe system) shall be supplied by ACO, Inc. The PVC drain body will provide secondary drainage at membrane level and clamping ability for waterproofing membrane (supplied by others).

Installation

ACO recommends checking local plumbing codes prior to installation. The system shall be installed in accordance with the manufacturer's instructions and recommendations.

ACO, Inc.

825 W Beechcraft Street
Casa Grande, AZ 85122
Tel: (520) 421-9988
Toll free: (800) 543-4764

North East Office
9470 Pinecone Drive
Mentor, OH 44060
Tel: (800) 543-4764

South East Office
4211 Pleasant Road
Fort Mill, SC 29708
Tel: (800) 543-4764

Eml: info@acousa.com
Web: www.acoshowerdrain.us



©September 2019 ACO, Inc.. This information is believed to be accurate but it is not guaranteed to be so. We cannot assume liability for results that buyer obtains with our product since conditions of use are beyond the control of the company. It is the customer's responsibility to evaluate suitability and safety of product for his/her own use. ACO, Inc. reserves the right to change the products and specification without notice.