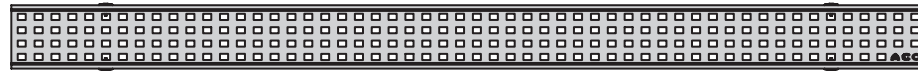
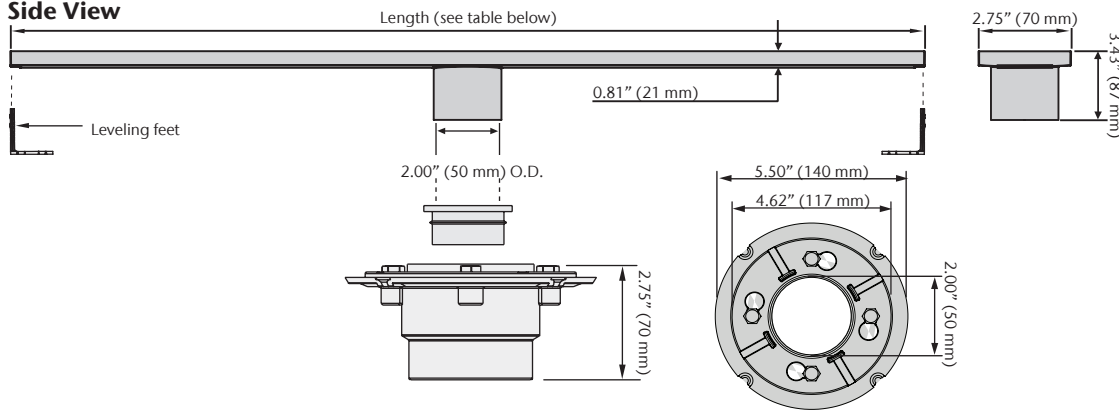


A Plus - Square design grate linear shower channel

Plan View



Side View



Product Table

Part No.	Design	Length inches (mm)	Width inches (mm)	Weight lbs (kg)	Intake area sq. in (sq. cm)
143150	Stainless				
143170	Matte Black	27.0 (686)	2.75 (70)	2.5 (1.1)	11.9 (76.8)
143240	Satin Bronze				
143151	Stainless				
143171	Matte Black	36.0 (886)	2.75 (70)	3.1 (1.4)	15.5 (100.0)
143241	Satin Bronze				
143152	Stainless				
143172	Matte Black	48.0 (1186)	2.75 (70)	4.0 (1.8)	20.9 (134.8)
143242	Satin Bronze				

Specification Clause

General
 The ACO ShowerDrain A Plus linear shower channel and grate system shall be stainless steel grade 304 manufactured and supplied by ACO, Inc. The surface treatment applied after the manufacturing process to prevent corrosion shall be pickle passivation. Grate shall be Square design.

Shower channels shall be 2.75" (70 mm) wide and 27.0" (686 mm) /36.0" (886 mm)/48.0" (1186 mm)* in length. Outlet spigot (O.D.) diameter shall be 2.0" (50 mm).

Waterproofing and plumbing connection
 The PVC membrane coupling (provides connection to S/S spigot of shower channel and plumbing pipe system) shall be supplied by ACO, Inc. The PVC drain body will provide secondary drainage at membrane level and clamping ability for waterproofing membrane (supplied by others).

Installation
 ACO recommends checking local plumbing codes prior to installation. The system shall be installed in accordance with the manufacturer's instructions and recommendations.

ACO, Inc.

825 W Beechcraft Street
 Casa Grande, AZ 85122
 Tel: (520) 421-9988
 Toll free: (800) 543-4764

North East Office
 9470 Pinecone Drive
 Mentor, OH 44060
 Tel: (800) 543-4764

South East Office
 4211 Pleasant Road
 Fort Mill, SC 29708
 Tel: (800) 543-4764

Eml: info@acousa.com
 Web: www.acoshowerdrain.us



©September 2019 ACO, Inc.. This information is believed to be accurate but it is not guaranteed to be so. We cannot assume liability for results that buyer obtains with our product since conditions of use are beyond the control of the company. It is the customer's responsibility to evaluate suitability and safety of product for his/her own use. ACO, Inc. reserves the right to change the products and specification without notice.

ACO Specification Information