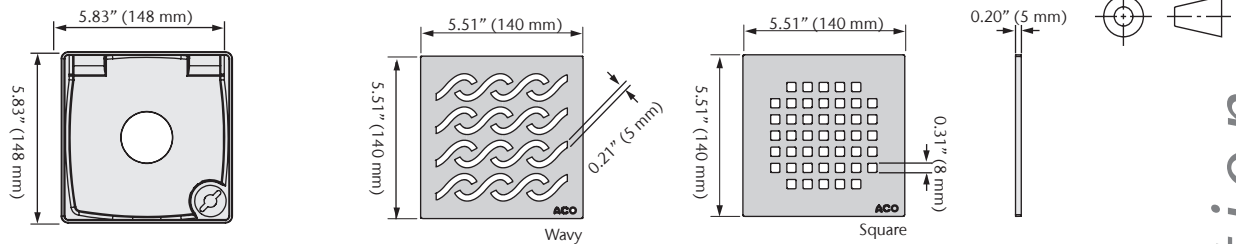
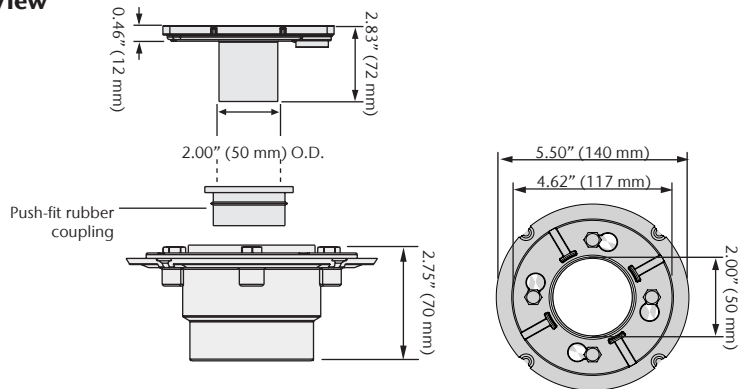


A Plus Point Drain with removable stainless grate

Plan View



Side View



Product Table

Part No.	Design	Length x Width inches (mm)	Slot size inches (mm)	Depth inches (mm)	Weight lbs (kg)	Intake area sq. in (sq. cm)
37078	Q Plus Point Square and Grate	5.83 x 5.83 (148.0 x 148.0)	0.31 (8.0) x 0.31 (8.0)	0.46 (12.0)	2.2 (1.0) grate + body	4.4 (28.4)
37080	Q Plus Point Wavy and Grate	5.83 x 5.83 (148.0 x 148.0)	0.20 (5.0) x 1.81 (46.0)	0.46 (12.0)	2.2 (1.0) grate + body	6.5 (41.9)

Specification Clause

General

The ACO ShowerDrain A Plus Point Drain body shall be ABS plastic as manufactured and supplied by ACO, Inc. The non-locking grate shall be manufactured from grade 304 stainless steel with Square or Wavy slot pattern.

Shower drain shall be 5.83" (148 mm) square, with 2.00" (50 mm) diameter outlet spigot (O.D.). Grate shall provide a minimum intake area of 4.4 in² (28.3 cm²) for the square grate and 5.0 in² (32.3 cm²) for the wavy grate. Shall provide an outflow of up to 13.5 GPM (0.85 l/s) where installed. This value assumes no head of water above top of grate.

Waterproofing and plumbing connection

Connection to plumbing shall be either with 2.00" (50 mm) NPS coupling (supplied with outlet) that shall be solvent welded to spigot/ 2.00" (50 mm) or a push fit into the rubber coupling (supplied with the waterproof membrane clamp). The body with attached thread can be screwed into waterproof membrane clamp to appropriate height.

Installation

ACO recommends checking local plumbing codes prior to installation. The system shall be installed in accordance with the manufacturer's instructions and recommendations.

ACO, Inc.

825 W Beechcraft Street
 Casa Grande, AZ 85122
 Tel: (520) 421-9988
 Toll free: (800) 543-4764

North East Office
 9470 Pinecone Drive
 Mentor, OH 44060
 Tel: (800) 543-4764

South East Office
 4211 Pleasant Road
 Fort Mill, SC 29708
 Tel: (800) 543-4764

Eml: info@acousa.com
 Web: www.acoshowerdrain.us



©September 2019 ACO, Inc.. This information is believed to be accurate but it is not guaranteed to be so. We cannot assume liability for results that buyer obtains with our product since conditions of use are beyond the control of the company. It is the customer's responsibility to evaluate suitability and safety of product for his/her own use. ACO, Inc. reserves the right to change the products and specification without notice.

ACO Specification Information